

BOCCHI

SOTTO 24

DUAL MOUNT SINGLE BOWL
KITCHEN SINK



Product Code

1627-XXX-0120

FEATURES:

- Fine Fireclay Construction
- Fully glazed and finished lip
- 3 1/2 inch center drain
- Stainless Steel Bottom Grid and Chrome Strainer included
- Compatible with standard garbage disposer flanges, extenders not required
- May be undemounted, OR installed as a drop-in, Or installed with 11/16" reveal to use with select accessories
- Requires support frame in cabinetry

Standard Colors

White (001), Bisquit (014)

Premium Colors

Matte White (002), Matte Black (004)
Black (005), Matte Gray (006)
Sapphire Blue (010), Matte Dark Gray (020)
Matte Brown (025)

DIMENSIONS:

Nominal Dimensions

24" x 19" x 10"

Bowl Inside Dimension:

21" x 16" x 9"

COMPONENTS INCLUDED IN THE BOX:

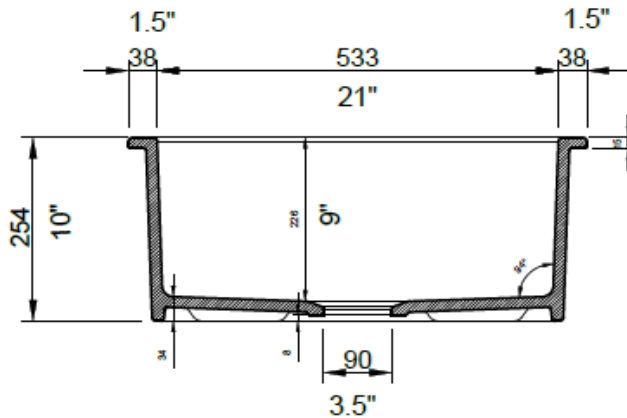
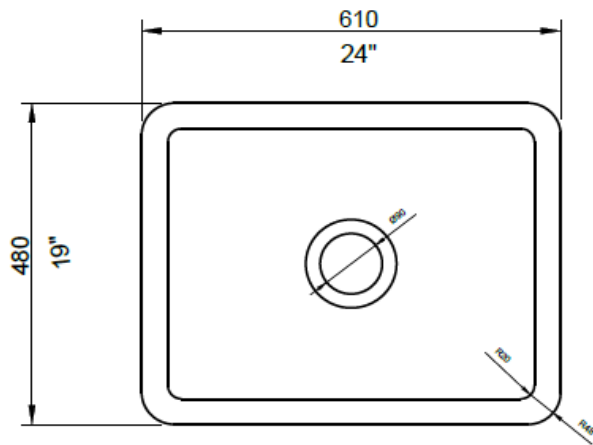
2330 0001 Chrome Strainer

2300 2056 Bottom Grid

COMPLIANCE CERTIFICATION:

Meet or Exceed ASME A112.19.2.15 / CSA B45.5 /
ANSI Z124.8

IMPORTANT: These measurements are subject to change or cancellation. No responsibility is assumed for use of superseded or voided pages. Bocchi reserves the right to make revisions without notice to product specification.



Notes:

Refer to installation instructions supplied with kitchen sink for undermount, or drop-in installations.
 Templates available online on www.bocchiusa.com

CAUTION: Sink is heavy! Installer must provide adequate reinforcement for all load-bearing supports in accordance with installation instructions supplied with kitchen sink. Fittings included with the fixture and must be used as directed.

IMPORTANT: Dimensions of fixtures are nominal and may vary within the range of tolerance established by ANSI standards. These measurements are subject to change or cancellation. No responsibility is assumed for use of superseded or voided pages.