

BOCCHI

SOTTILE 23

Vessel



Product Code

1476-XXX-0125

FEATURES

- Fine fireclay construction
- Vessel lavatory, without faucet setting
- Standard USA drain opening

Standard Color

White (001)

Special Color

Biscuit (014)

Premium Colors

Matte White (002), Matte Ice Blue (029),
Matte Mint Green (033), Matte Gray (006), Black
(005), Matte Black (004), Sapphire Blue (010),
Orange (012), Matte Gold (403), Platinum (401)

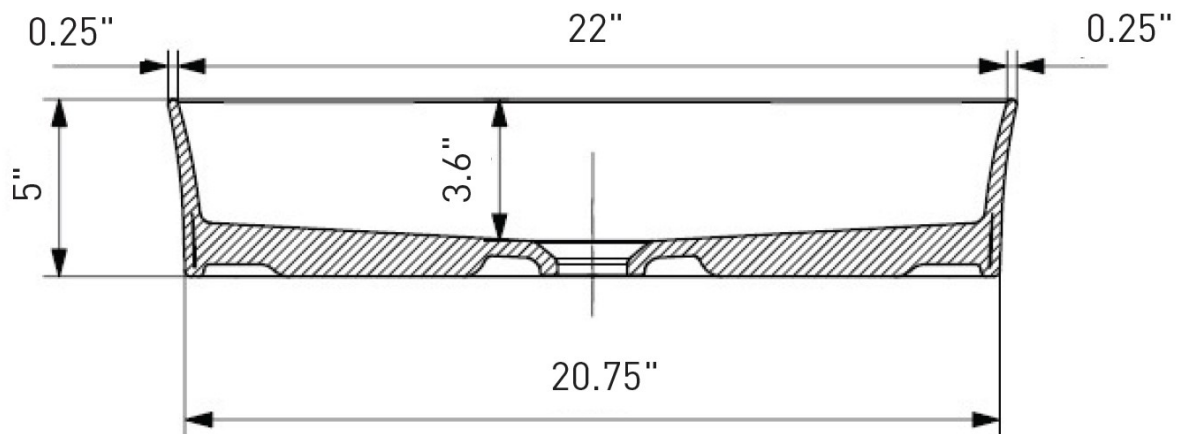
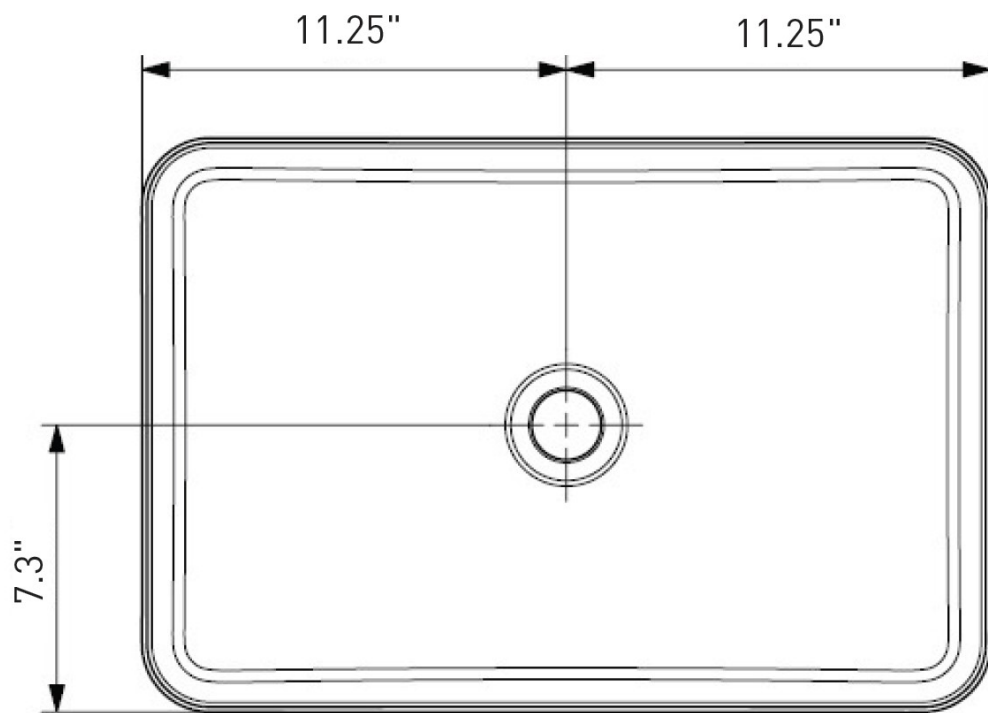
DIMENSIONS

NOMINAL DIMENSIONS

22.5" x 15" x 5"

COMPLIANCE CERTIFICATIONS

Meet or Exceeds ASME A112.19.2 / CSA B45.1



NOTES:

Refer to installation instructions supplied with bathroom sink for installation.

CAUTION: Sink is heavy! Installer must provide proper reinforcement for all counters where sink will be installed.

IMPORTANT: Dimensions of fixtures are nominal and may vary within the range of tolerance established by ANSI standards. These measurements are subject to change or cancellation. No responsibility is assumed for use of superseded or voided pages.