

BOCCHI

FIRENZE 20

Lavatory



Product Code

1074-XXX-0126

FEATURES

- Fine fireclay construction
- Single hole
- Vessel Lavatory
- No overflow
- Standard USA drain size

Standard Color

White (001)

Special Color

Biscuit (014)

Premium Colors

Matte White (002), Matte Ice Blue (029),
Matte Mint Green (033), Matte Gray (006), Black
(005), Matte Black (004), Sapphire Blue (010),
Orange (012)

DIMENSIONS

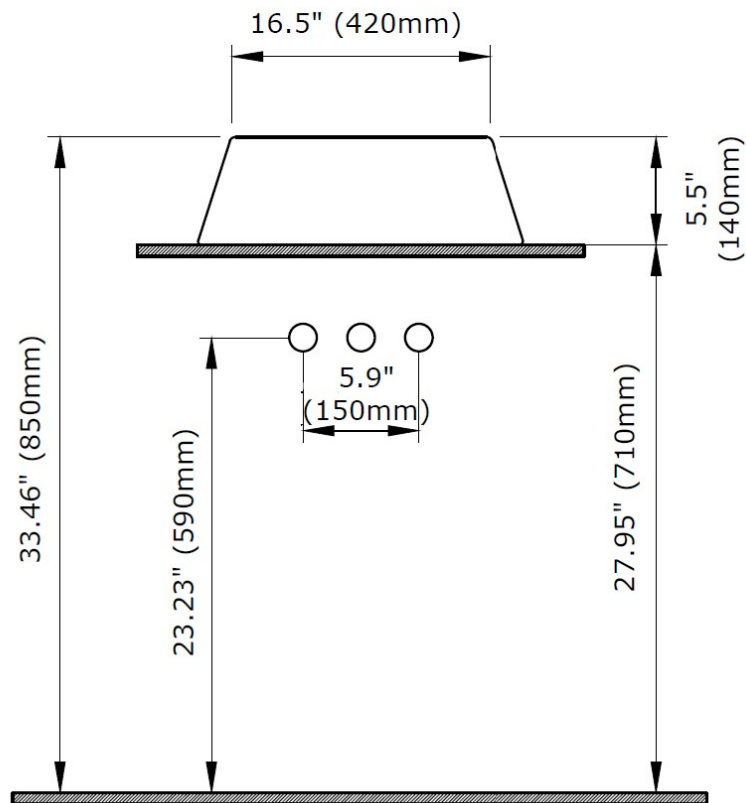
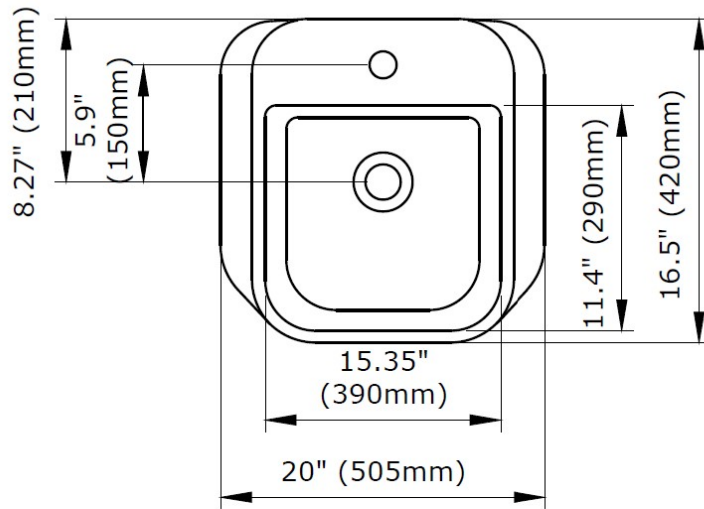
NOMINAL DIMENSIONS

20" x 16.5" x 5.5"

(505 x 420 x 140 mm)

COMPLIANCE CERTIFICATIONS

Meet or Exceeds ASME A112.19.2 / CSA B45.1



NOTES:

Refer to installation instructions supplied with bathroom sink for installation.

Please use the actual sink that you will be installing in order to determine the cutout dimensions for countertop installation.

CAUTION: Sink is heavy! Installer must provide proper reinforcement for all counters where sink will be installed.

IMPORTANT: Dimensions of fixtures are nominal and may vary within the range of tolerance established by ANSI standards. These measurements are subject to change or cancellation. No responsibility is assumed for use of superseded or voided pages.