

# BOCCHI

## FENICE 36

Lavatory



- Metal console legs (3930 0001X)  
Available colors:  
3930 0001S = Brushed Nickel  
3930 0001F = Matte Black  
3930 0001G = Matte Gold

### Product Code

1490-XXX-0126

### FEATURES

- Fine fireclay construction
- Single hole
- May be wall-mounted, counter set, or used with metal console legs (3930 0001X)
- No overflow
- Standard USA drain size

### Standard Color

White (001)

### Special Color

Biscuit (014)

### Premium Colors

Matte White (002), Matte Ice Blue (029),  
Matte Mint Green (033), Matte Gray (006), Black  
(005), Matte Black (004), Sapphire Blue (010),  
Orange (012)

### DIMENSIONS

#### NOMINAL DIMENSIONS

35.6" x 18" x 5.6"

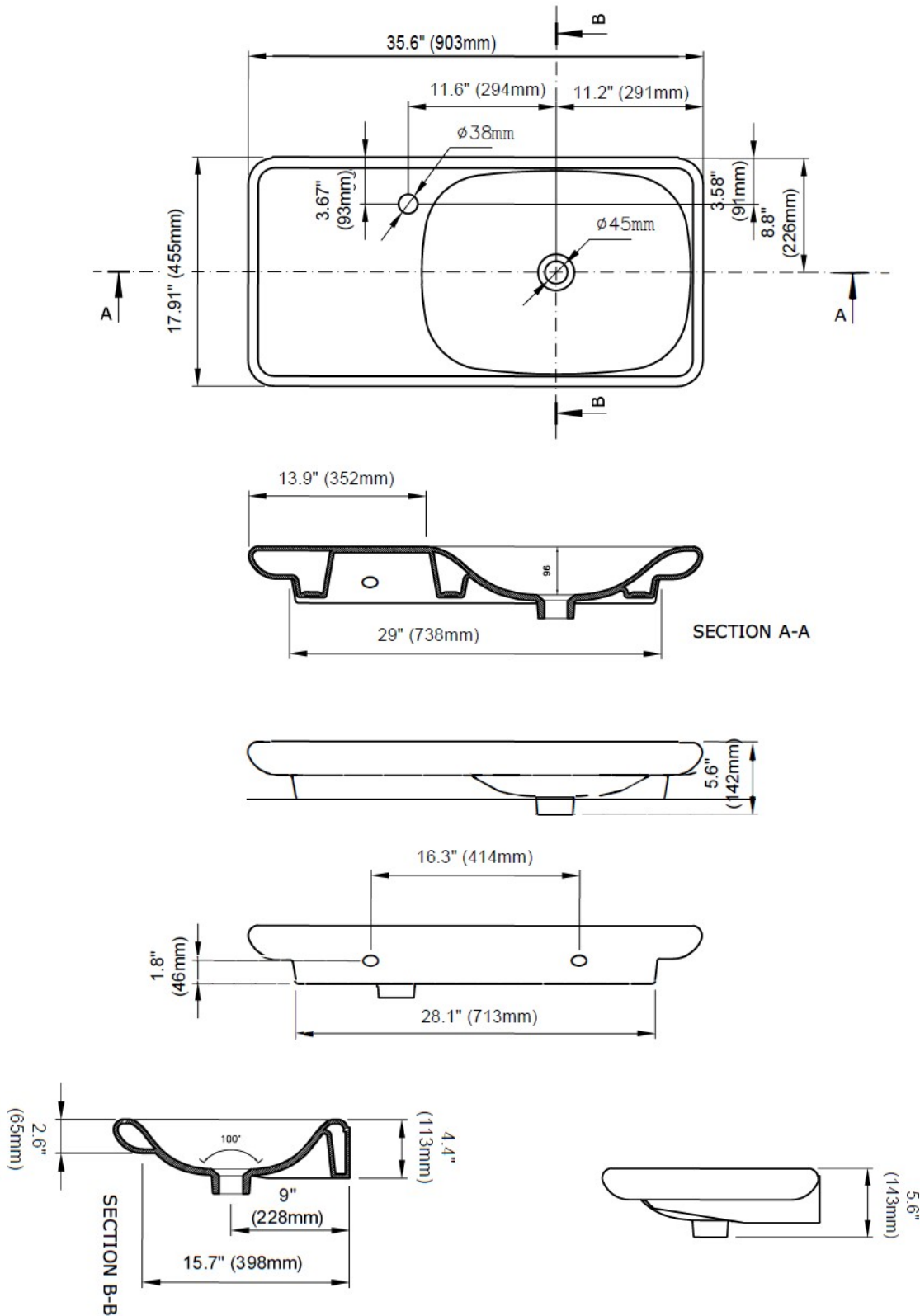
(903 x 455 x 143 mm)

### COMPONENTS INCLUDED THE BOX

Wall-mounting hardware (requires proper reinforcement in wall)

### COMPLIANCE CERTIFICATIONS

Meet or Exceeds ASME A112.19.2 / CSA B45.1



**NOTES:**

Refer to installation instructions supplied with bathroom sink for wall mount, countertop or console leg installations.

**Due to the fireclay process, dimensions may vary. Please use the actual sink that you will be installing in order to determine the cutout dimensions for countertop installation.**

**CAUTION:** Sink is heavy! Installer must provide adequate reinforcement for all load-bearing supports in accordance with installation instructions supplied with bathroom sink. Metal Console legs are optional and not designed to be load-bearing, proper wall reinforcement is still required.

**IMPORTANT:** Dimensions of fixtures are nominal and may vary within the range of tolerance established by ANSI standards. These measurements are subject to change or cancellation. No responsibility is assumed for use of superseded or voided pages.