

BOCCHI

ETNA 36

Lavatory



Product Code

1115-XXX-0125

FEATURES

- Fine fireclay construction
- Wall-mounted sink, without faucet setting
- Asymmetrical basin
- Without overflow

Standard Color

White (001)

Special Color

Biscuit (014)

Premium Colors

Matte White (002), Matte Black (004), Black (005) Matte Gray (006), Orange (012), Sapphire Blue (010), Matte Ice Blue (029), Matte Mint Green (033)

DIMENSIONS

NOMINAL DIMENSIONS

35.5" x 18" x 4"

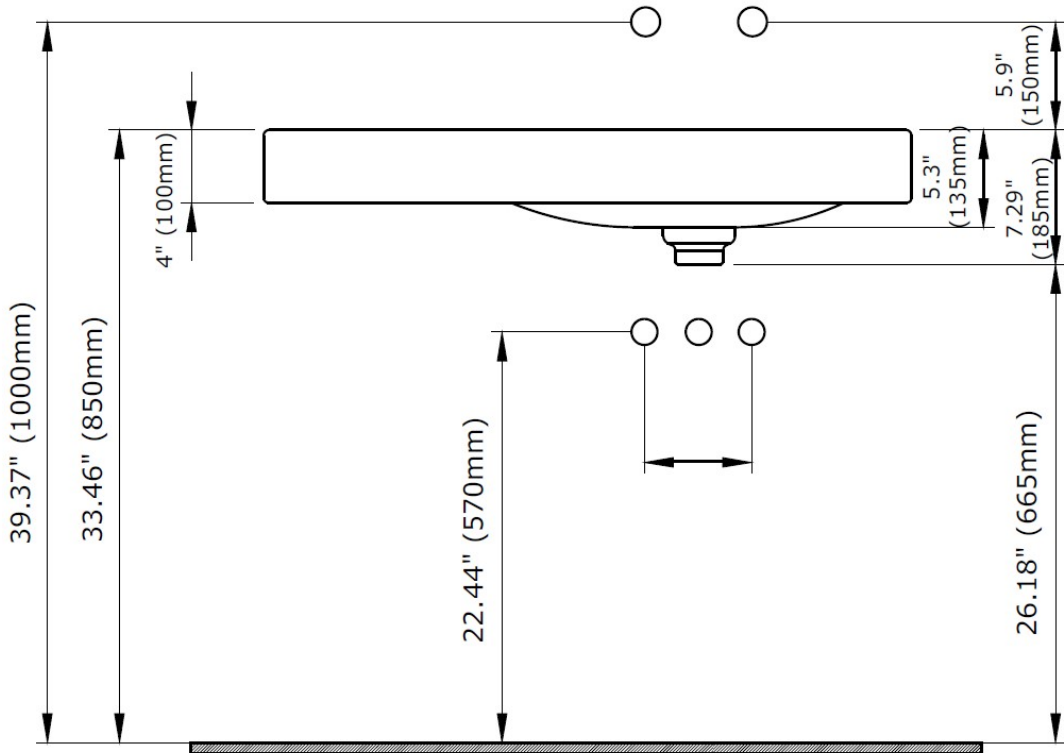
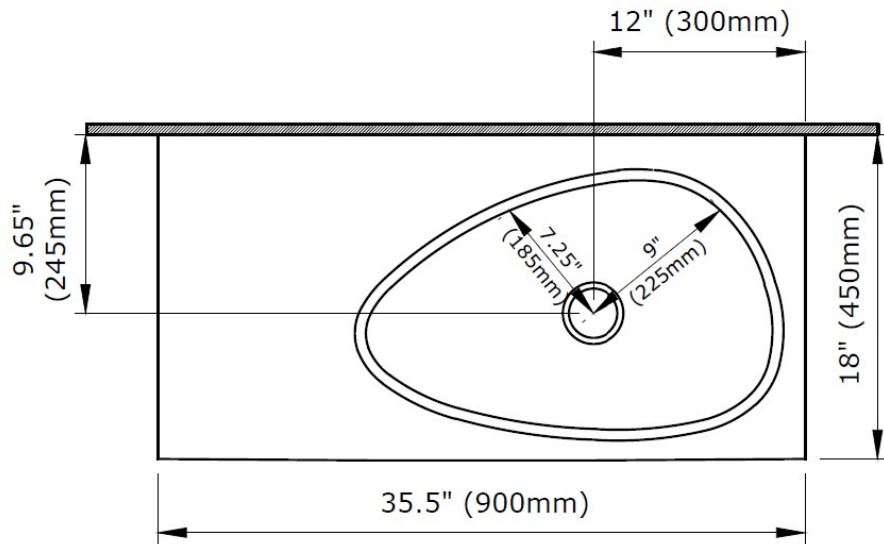
(900 mm x 450 mm x 100 mm)

COMPONENTS INCLUDED THE BOX

Wall-mounting hardware (requires proper reinforcement in wall)

COMPLIANCE CERTIFICATIONS

Meet or Exceeds ASME A112.19.2 / CSA B45.1



NOTES:

Refer to installation instructions supplied with bathroom sink for wall mount, countertop or console leg installations.

CAUTION: Sink is heavy! Installer must provide adequate reinforcement for all load-bearing supports in accordance with installation instructions supplied with bathroom sink. Metal Console legs are optional and not designed to be load-bearing, proper wall reinforcement is still required.

IMPORTANT: Dimensions of fixtures are nominal and may vary within the range of tolerance established by ANSI standards. These measurements are subject to change or cancellation. No responsibility is assumed for use of superseded or voided pages.