

BOCCHI

SOTTO 18R

DUAL MOUNT SINGLE BOWL ROUND KITCHEN SINK



Product Code

1361-XXX-0120

FEATURES

- Fine fireclay construction
- Fully glazed and finished lip
- 3-1/2" asymmetrical drain
- Stainless steel bottom sink rack and chrome strainer included
- Compatible with standard garbage disposal flanges, extenders not required
- May be undermounted, OR installed as a drop-in
- Requires support frame in cabinetry
- Requires a minimum 21" cabinet

Standard Colors

White (001), Biscuit (014)

Premium Colors

Matte White (002), Matte Black (004),
Black (005), Matte Gray (006),
Sapphire Blue (010), Matte Dark Gray (020),
Matte Brown (025)

DIMENSIONS

NOMINAL DIMENSIONS

Ø18 1/2" X 9"

BOWL INSIDE DIMENSIONS

Ø3 1/2" (Ø90mm) wide
15 1/2" (394mm) front to back
7 7/8" (199mm) depth

COMPONENTS INCLUDED THE BOX

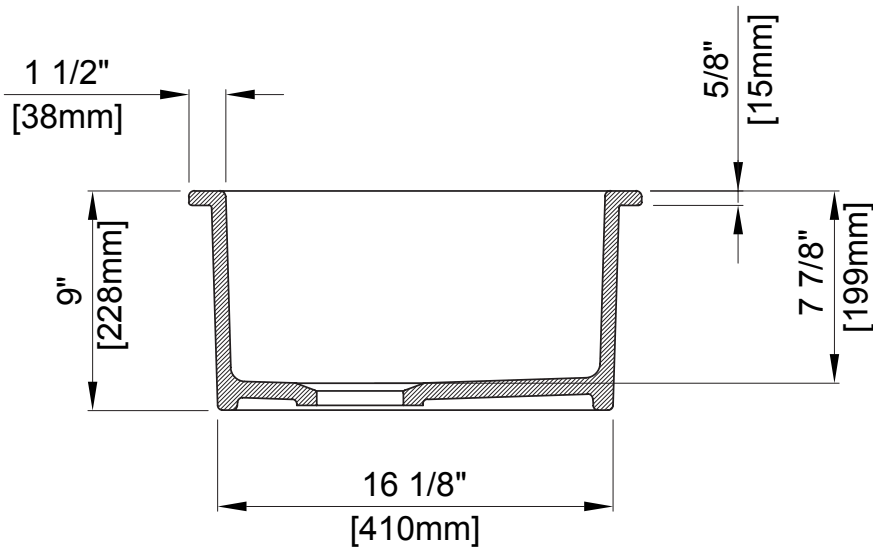
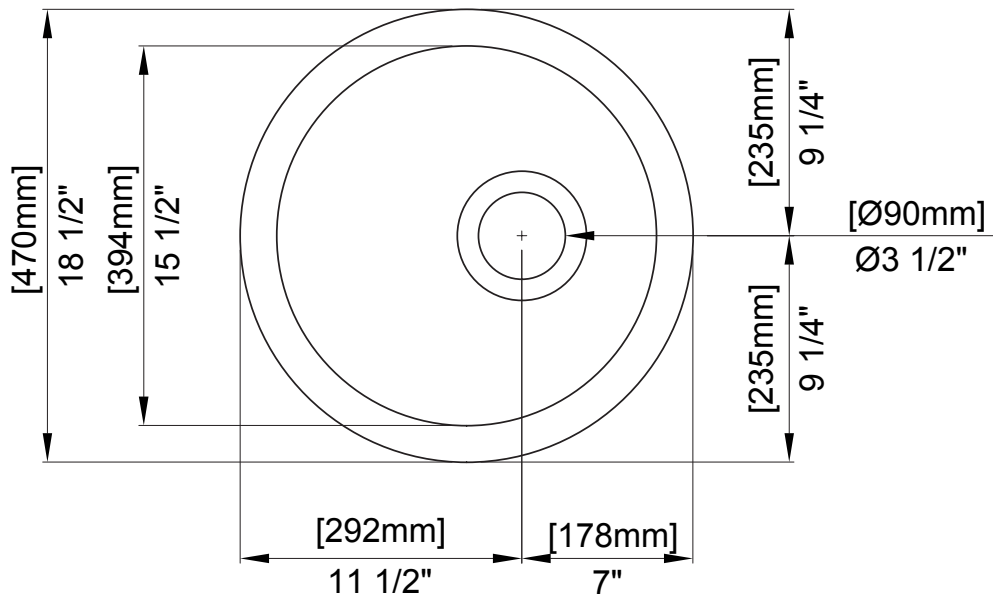
2300 0002 - 18 1/2" X 9"

SS SINK RACK - CHROME (1pc)

2330 0001 - SINK STRAINER - CHROME (1pc)

COMPLIANCE CERTIFICATIONS

Meet or Exceeds ASME A112.19.2 / CSA B45.1



NOTES:

Refer to installation instructions supplied with kitchen sink for undermount, countertop or above counter custom installations.

Due to the fireclay process, dimensions may vary. Please use the actual sink that you will be installing in order to determine the cutout dimensions for your countertop.

CAUTION: Sink is heavy! Installer must provide adequate reinforcement for all load-bearing supports in accordance with installation instructions supplied with kitchen sink.

Fittings not included with fixture and must be ordered separately.

IMPORTANT: Dimensions of fixtures are nominal and may vary within the range of tolerance established by ANSI standards. These measurements are subject to change or cancellation. No responsibility is assumed for use of superseded or voided pages.