

1-1/4" (32mm) Diameter Wall-to-Floor Grab Bar with Support Leg

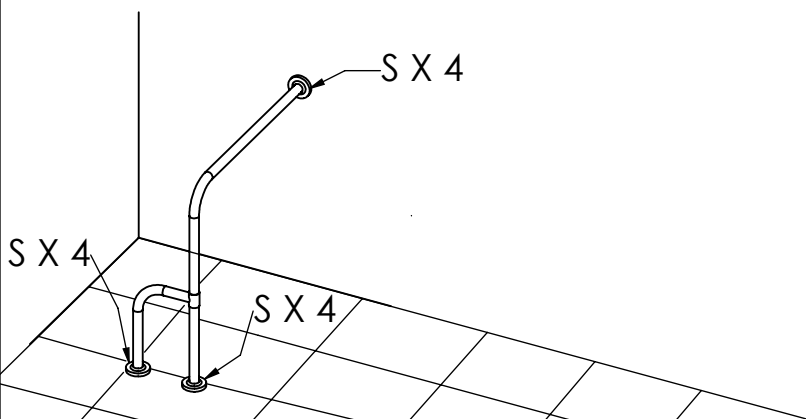
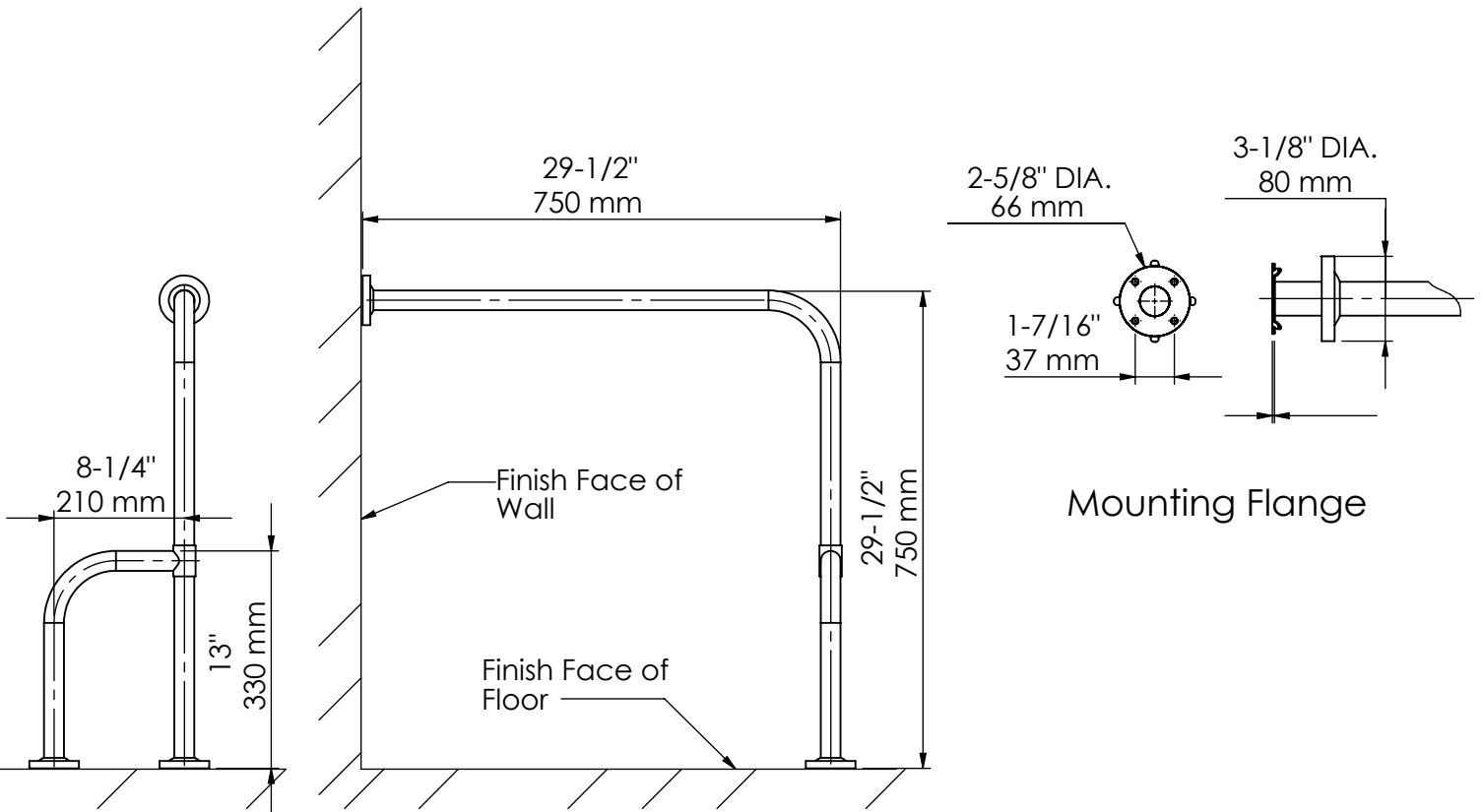
INSTALLATION GUIDE:

1. Provide concealed anchor device or backing as specified or required in accordance with local building codes before wall is finished.
2. Pull snap flange covers (A-1) away from mounting flanges.
3. Drill a 1-1/4" x 4" (32x100mm) deep hole in finished floor in the where the bar will be placed.
4. Insert the bottom end of grab bar on the floor and use concealed mounting flanges as a template to mark the locations of the four mounting screw holes on the floor and wall. (**Important note:** in order to ensure proper safety when in use, wall screws should be placed so that they are drilled into in-wall studs.)
5. Remove grab bar and drill flange mounting holes in the marked areas.
6. 2 pieces of 1/4" – 20 x 2" (M6.3 - 1 x 51mm) stainless steel screws are recommended for floor installation.
7. Embed bottom end of the grab bar on the floor and fasten concealed mounting flange to the floor with mounting screws.
8. Fasten concealed mounting flange at wall to anchor device or backing with two 1/4" or #14 (M6.3 – 1x51mm) screws.
9. Snap flange covers over each mounting flange to conceal mounting screws and lock by turning covers clockwise.

Note: Concealed mounting screws and anchor devices are not included with this grab bar. It is important to use the proper types of screws and supports necessary for you wall and floor type. If you are unsure what type of screw or support is necessary please consult a professional. **For your safety, proper in-wall support is imperative.**



1-1/4" (32mm) Diameter Wall to Floor Grab Bar with Support Leg

**MATERIALS:**

- Grab Bar - 18-8, Type 304, 15-gauge (5/8") stainless steel tubing with satin-finish. 1-1/4" (32mm) outside diameter. Tubing is tig argon welded to mounting flanges.
- Concealed Mounting Flanges - 18-8, Type 304, 3-1/8" (79mm) in diameter with 4 mounting holes for attachment to wall/floor; welded to tubing.
- Snap Flange Covers - 18-8, Type 304, 22-gauge (3/4") drawn stainless steel with satin-finish. 3-1/4" (81mm) diameter x 3/8" (10mm) deep. Each cover snaps over mounting flange to conceal mounting screws.