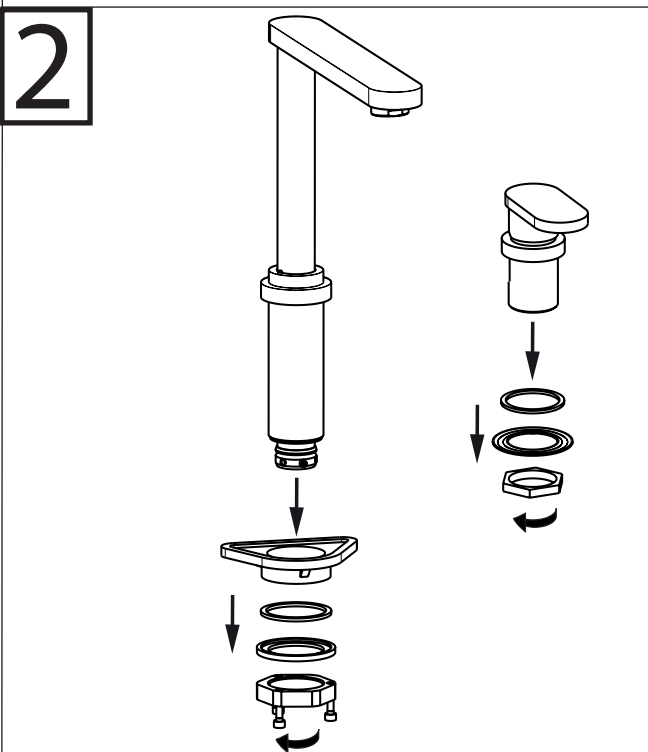
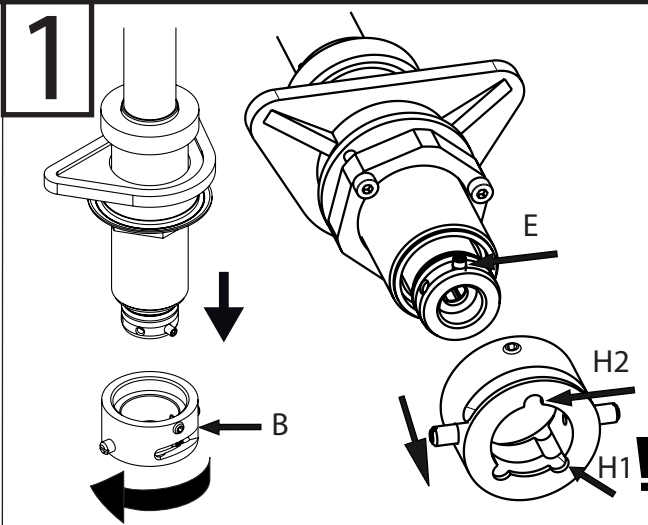
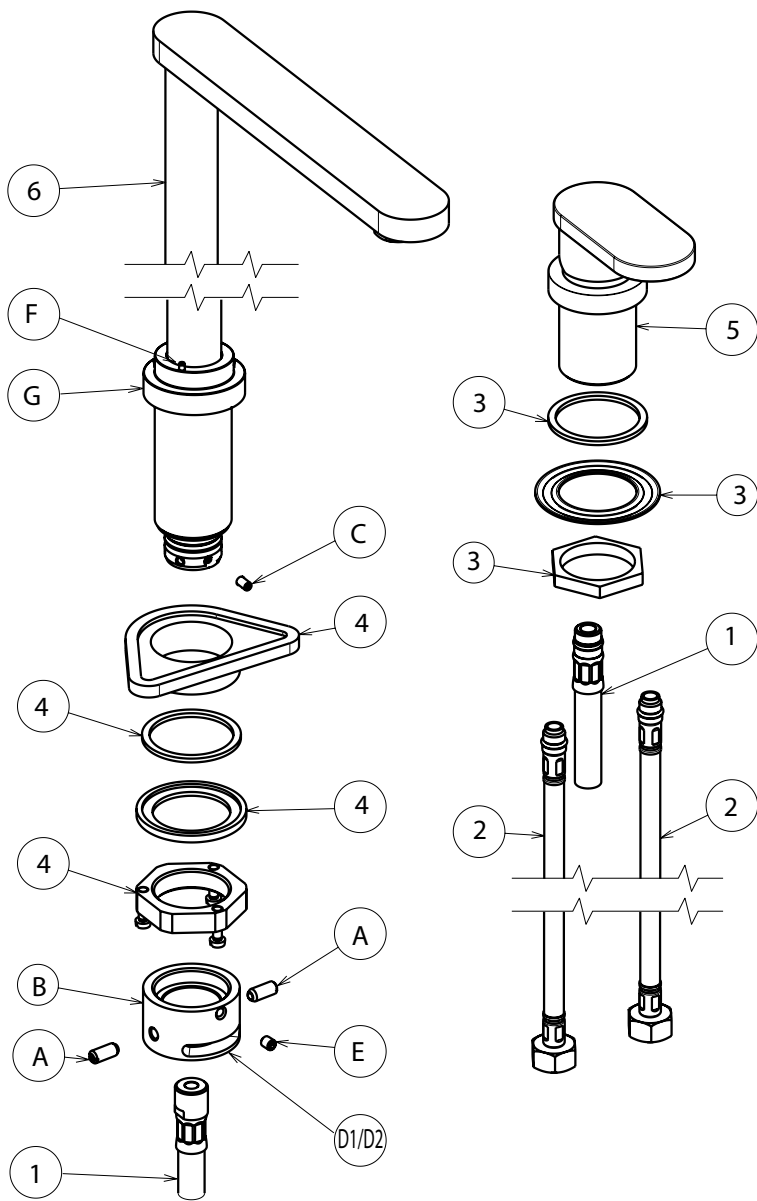


COMPONENTS FOR INSTALLATION

PARTS TO BE REMOVED PRIOR TO INSTALLATION



1	connection hose between mixer/spout
2	connection hose between mixer/water supply
3	fixing kit for mixer
4	fixing kit for spout
5	mixer
6	spout
A	ball point screw to keep spout up
B	ring with slot to limit rotation
C	screw fixed at the base of the spout as rotation stopper
D	slot limiting the spout rotation
E	screw to lock ring "B"
F	pin to lock rotation spout in down position
G	base ring of spout

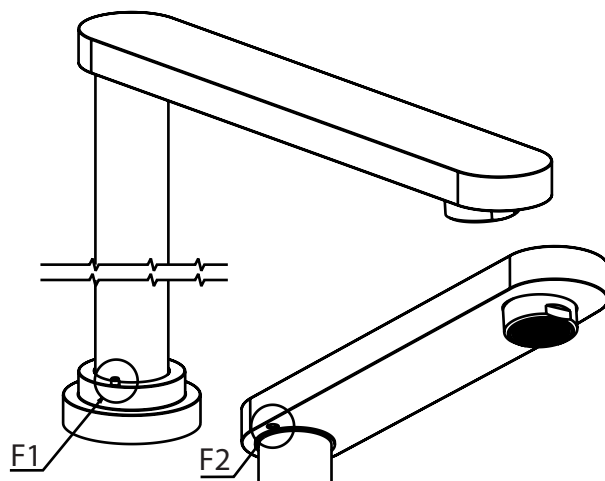
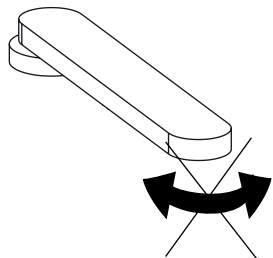
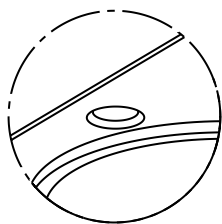
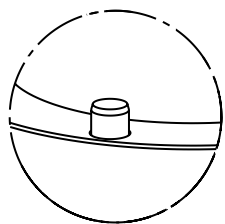
**BOCCHI**  
FOR EVERY SHADE OF YOU



SPOUT BLOCK IN DOWN POSITION

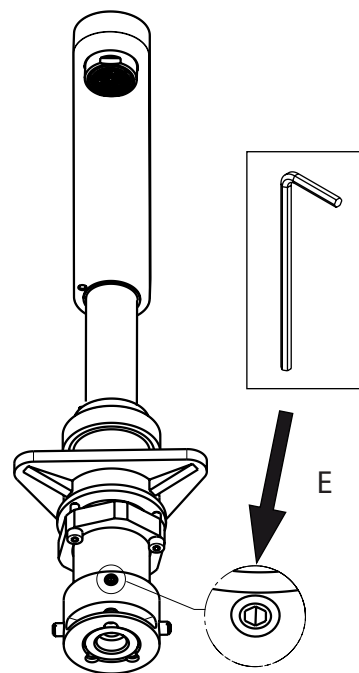
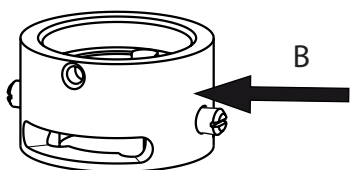
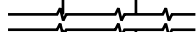
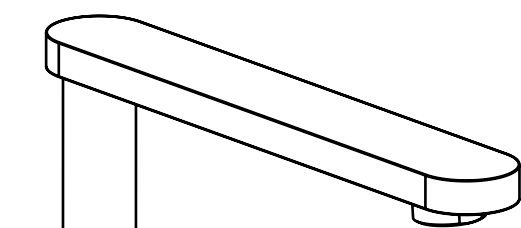
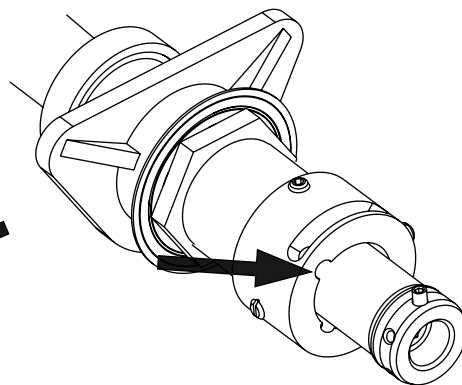
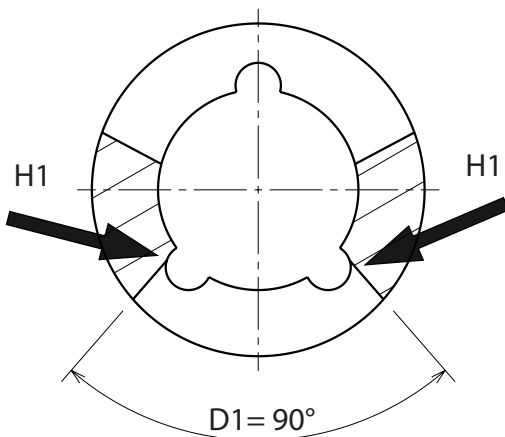
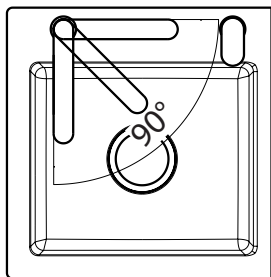
F1= spina  
pin

F2= foro  
bore



1 BOWL SINK: 90° LIMITED ROTATION

two position to lower or raise the spout at the ends of the rotation slot

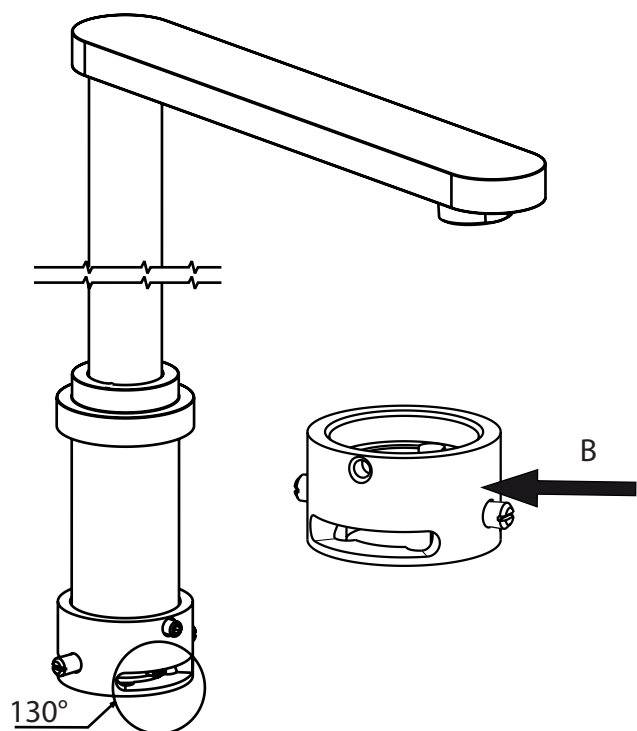
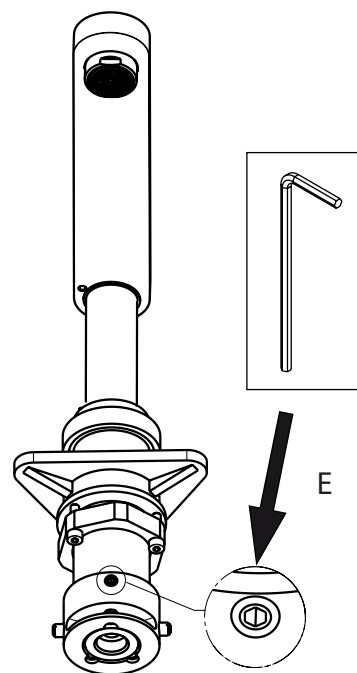
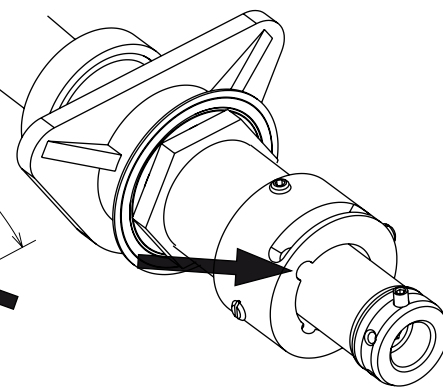
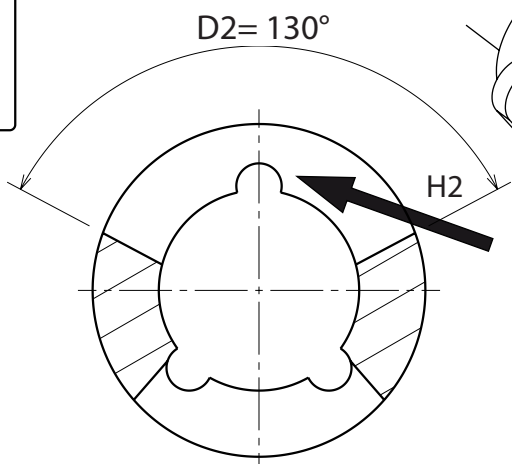
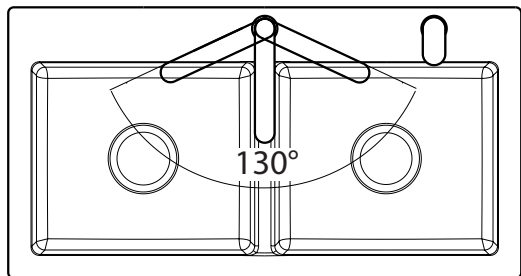


90°

Screw to fix the ring with slot "B" in the position required to have correct 90° rotation

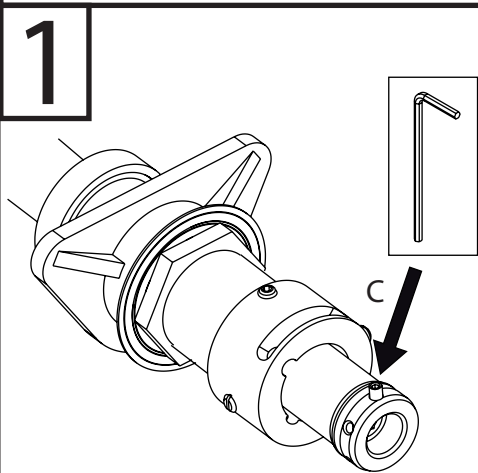
2 BOWLS SINK: 130° LIMITED ROTATION

one position only to lower or raise the spout in middle of the rotation slot

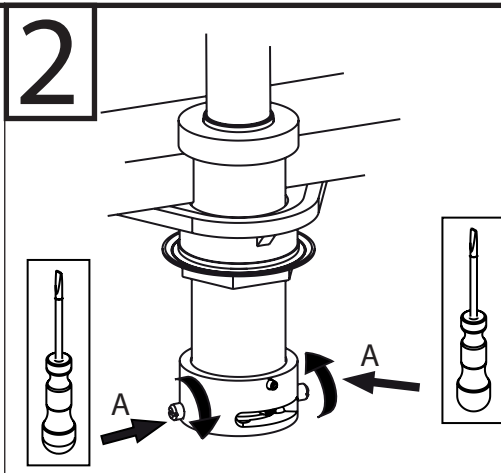


Screw to fix the ring with slot "B" in the position required to have correct 130° rotation

FOR 360° ROTATION



Remove screw "C"



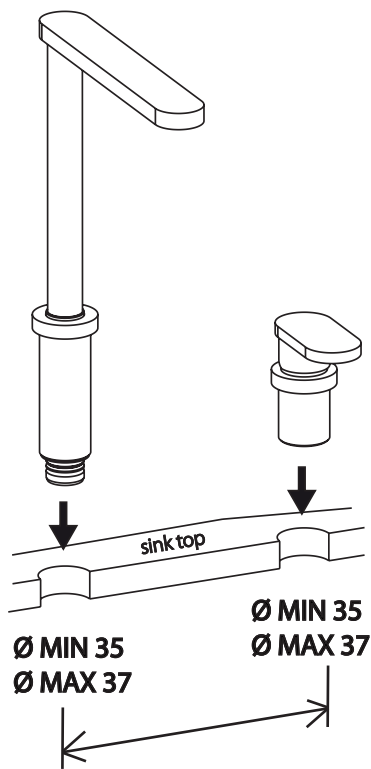
Tighten well screws "A" on both sides

Spout goes up and down in any position

When pulling up the spout make sure to take it all the way up. You should hear a "click"

INSTALLATION

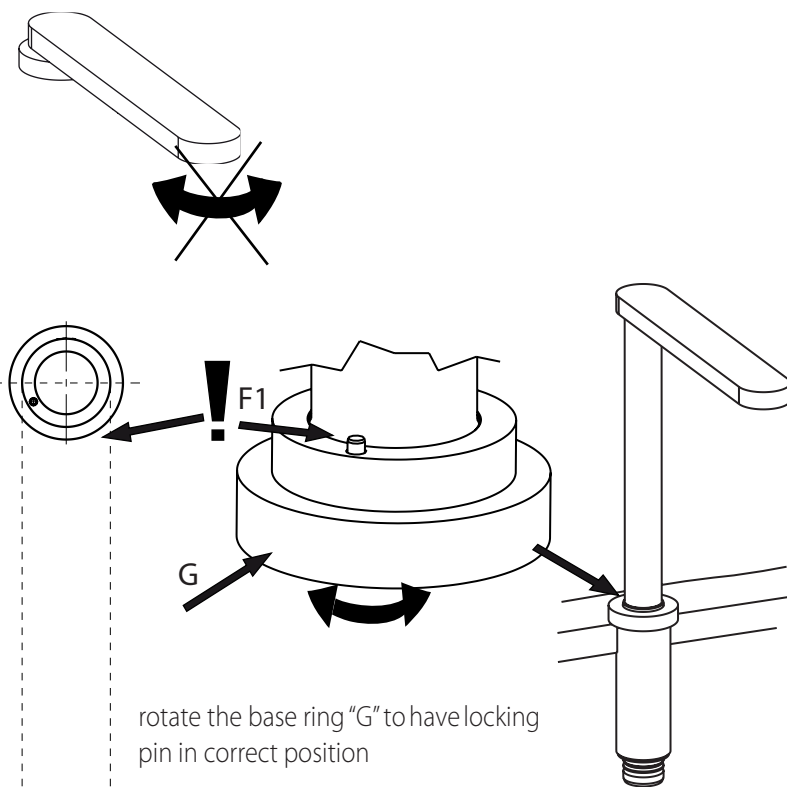
1



Recommended center to center distance between 260 mm and 380mm

2

check the position of block when the spout is in down position

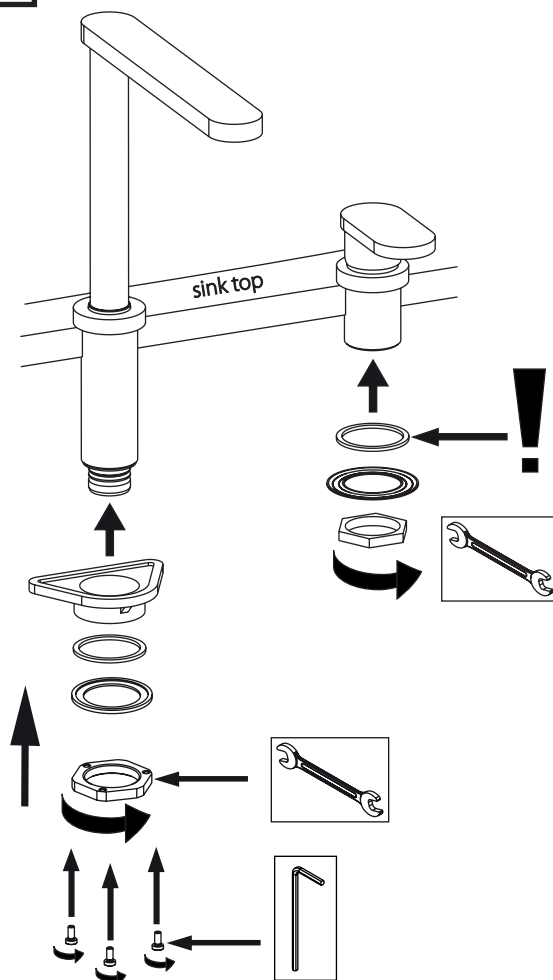


IMPORTANT  
SINK TOP HOLES DIAMETER

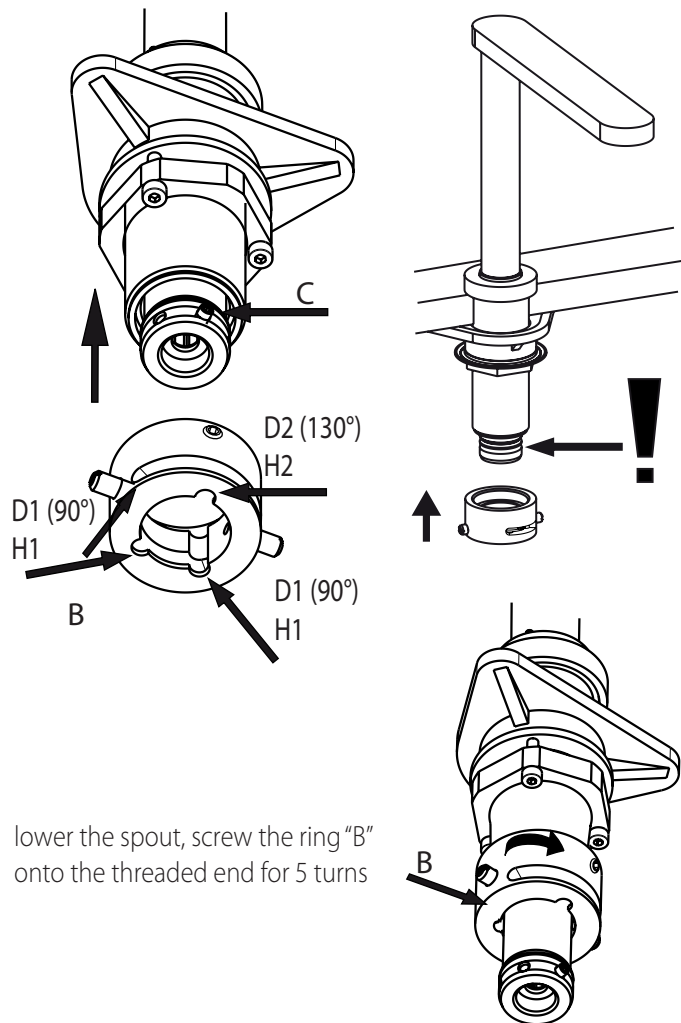
Ø MINIMUM 35 MM  
Ø MAXIMUM 37 MM

3

fix spout and mixer on the sink

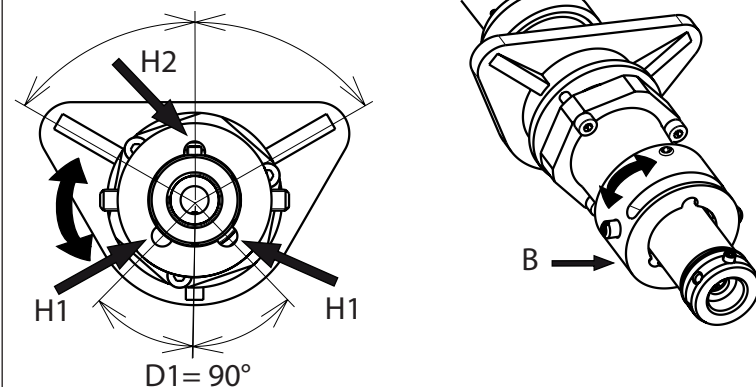


**4** Lower the spout (screw "C" has to go through recess "H1" or "H2")



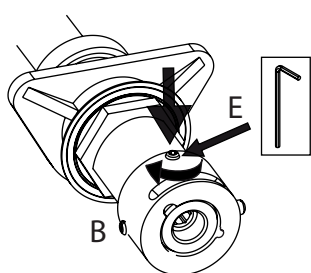
lower the spout, screw the ring "B" onto the threaded end for 5 turns

**5** adjust the rotation range  
D2= 130°

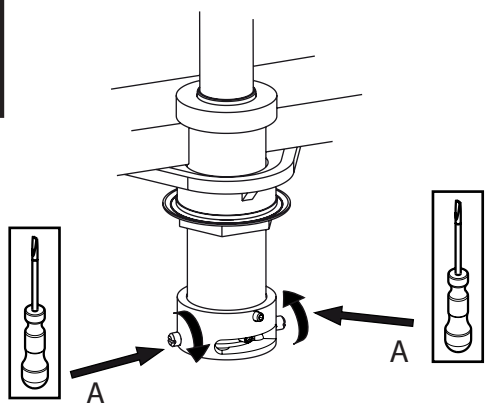


Lower the spout, adjusting the ring "B" to have the desired rotation of the spout in relation with the sink

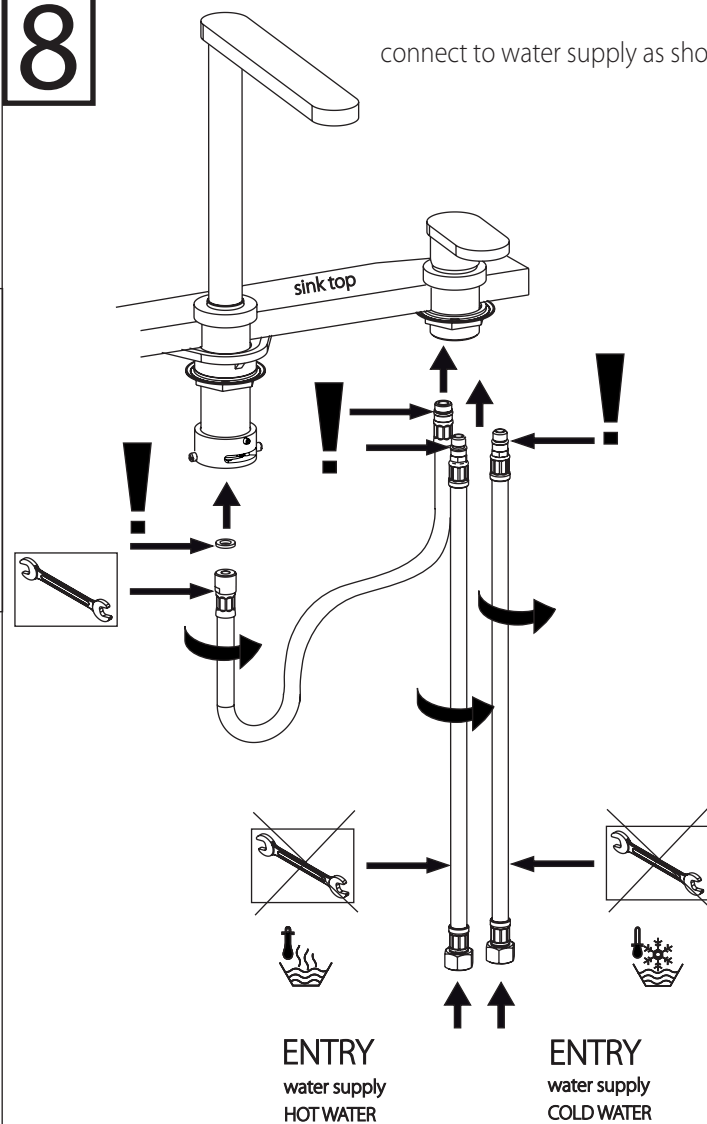
**6** Tighten screw "E" to fix ring "B" in the chosen position



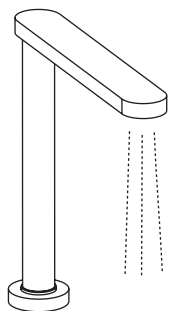
**7** Tighten screws "A" to the end to make sure the spout stays in upright position



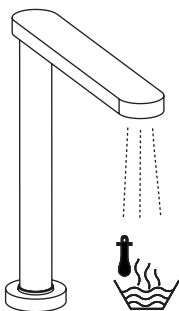
**8** connect to water supply as shown



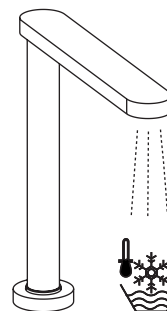
OPERATION OF MIXER



Opening and mixed water position

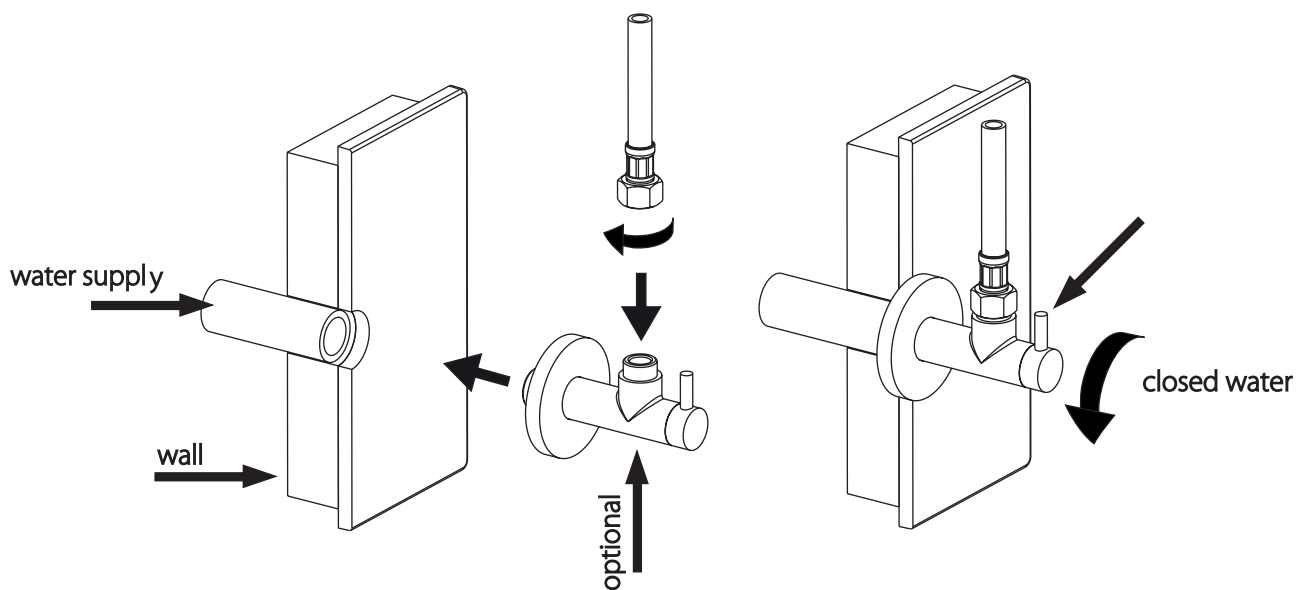


Hot water position



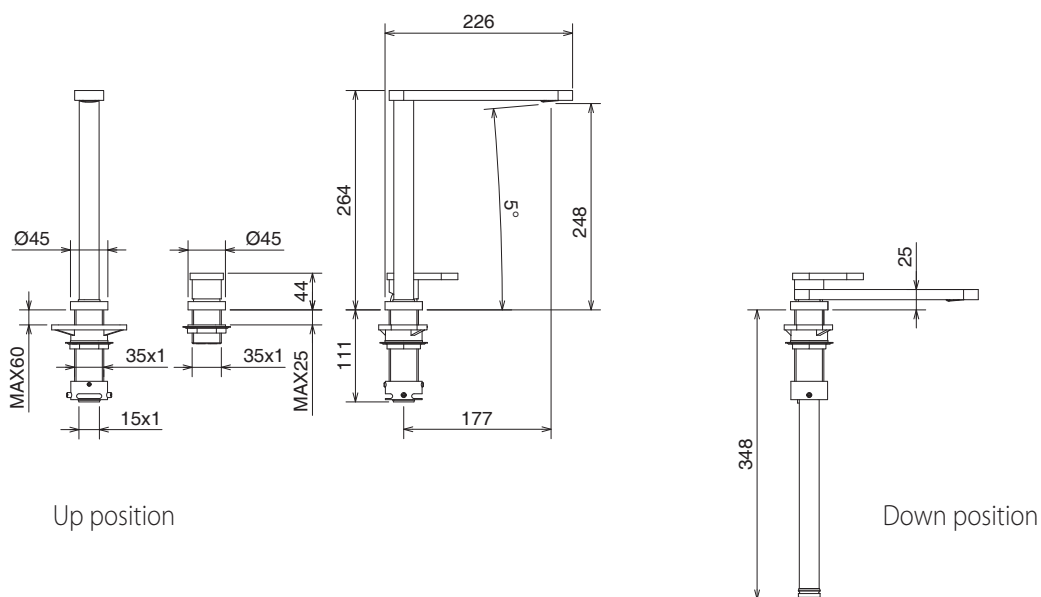
Cold water position

RECOMMENDED: PAIR OF ANGLE VALVES G1/2 WITH FILTER



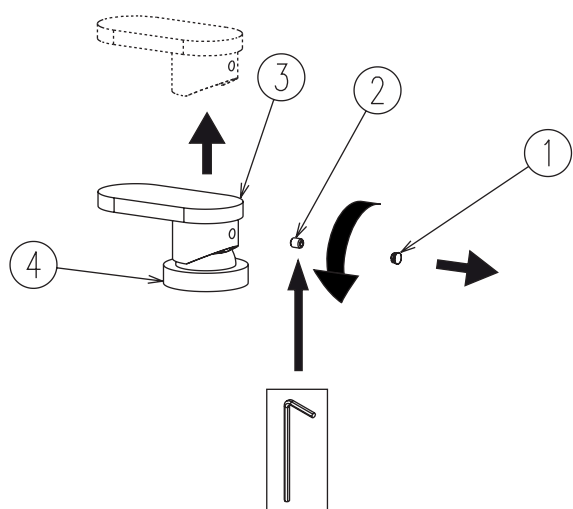
ONLY ON REQUEST

DIMENSIONS



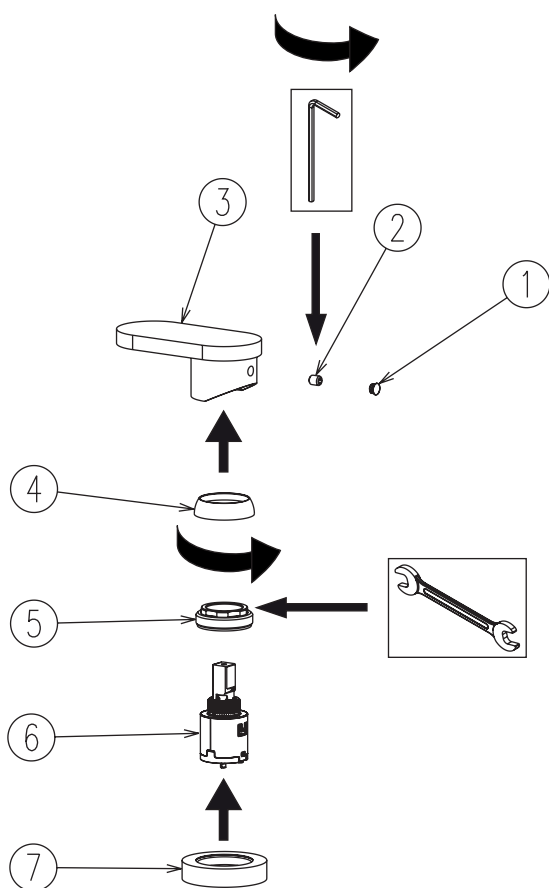
GENERAL CARE

Replacement of lever

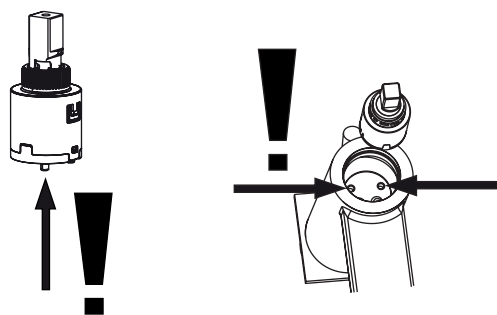


remove the little cap (1)  
 unscrew grub screw (2) with allen key 2.5 mm  
 pull up to remove the lever (3) from the body (4)  
 assemble the new lever and fix with the grub screw (2)  
 reposition the little cap (1)

Replacement of cartridge



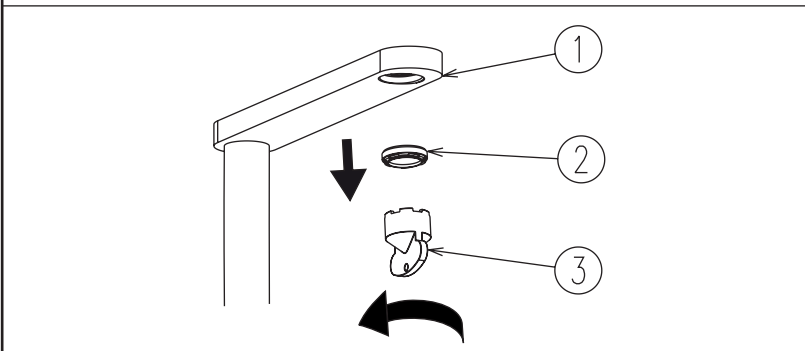
remove the little cap (1)  
 unscrew grub screw (2) with allen key 2.5 mm  
 pull up to remove the lever (3) from the body (4)  
 unscrew by hand the chrome bell (4)  
 unscrew the cartridge fastener (5) with proper key 24  
 pull out the cartridge (6) from body  
 clean up the cartridge location.  
 insert by hand a new cartridge (6) making sure to  
 locate cartridge pegs into right holes of the body (7)  
 tighten the cartridge fastener (5) with hexagonal key



24 mm we advised to use a torque wrench, with 8Nm value.

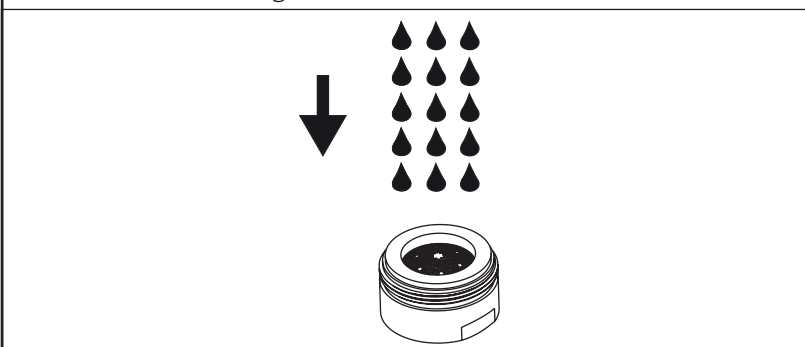
assemble by hand the bell (4)  
 assemble the lever and fix with the grub screw (2)  
 reposition the little cap (1)

replacement of the cartridge aerator



remove the aerator (2) with enclosed key (3) then replace and eassemble on the body (1)

clean of the cartridge aerator



in case of reduced flow, try to remove the aerator, rinse it well under running water and re-assemble on the spout

FAQ

Problem	Possible reason	Action
Insufficient flow	Debrits or limestone in aerator	Remove and replace aerator
	Supply hoses non connected correctly	Disconnect and connect again
Lever hard to operate	Defective cartridge	Replace cartridge
Leakage	Defective cartridge	Replace cartridge
The spout don't lock in up position	Grain screws (A) do not tighten	See point 7, tighten 2 grain screws (A)
The spout isn't locked on sink top	The lock nut or screws are not tightened	See point 3, tighten the lock nut and the 3 screws
The spout won't rotate how desire	The ring of limiter rotation spout is not fixed	See point 6, rotate the ring until find the wanted rotation angle

**BOCCHI**<sup>®</sup>  
FOR EVERY SHADE OF YOU



6590 Shiloh Rd East, Suite D, Alpharetta GA 30005 | T. 877-565-2221 | E. info@bocchiusa.com

**DISPOSAL OF THE ITEM: NOT DISPERSE IN NATURE**  
For a correct disposal of the item, please refer to the specific rules of your country.